

USER MANUAL DISH WARMER

443-1070



English - Original



INDEX

Safety Instructions.....	3
Installation.....	3
Technical features.....	3
Cleaning and maintenance	4
Spare parts list.....	4
Exploded View.....	5
Standards and Directives.....	6
Machine and packaging Disposal	6



SAFETY INSTRUCTIONS

- For your safety, do not store or use gasoline or other flammable vapors or liquids in the vicinity of this equipment. Keep the area free and clear of combustible.
- Improper installation, adjustment, alteration, service or maintenance can cause property damage, injury, or death. Read the installation operating and maintenance instructions thoroughly before installing, or servicing this equipment.
- Instructions must be posted in a prominent location. All safety precautions must be taken in the event the user smells gas.
- These models are designed, built, and sold for commercial use only. If these models are positioned so the general public can use the equipment, make sure that cautions, warnings, and operating instructions are clearly posted near each unit so that anyone using the equipment will use it correctly and not injure themselves or harm the equipment.
- **WARNING:** It is hazardous for anyone other than a trained person to carry out any service or repair operation
- Before doing any maintenance or repair, contact your authorized service representative.
- This appliance can be used by children aged from 8 years and above and persons with reduced physical, sensory or mental capabilities or lack of experience and knowledge if they have been given supervision or instruction concerning use of the appliance in a safe way and understand the hazards involved. Children shall not play with the appliance. Cleaning and user maintenance shall not be made by children unless they are aged from 8 years and above and supervised.
- This product is intended for commercial use only.

INSTALLATION

1. Remove all packaging, place a good accessory
2. Turn on the power and turn on the nob, and the temperature you can choose
3. Installation must comply with all local codes.

FEATURES :

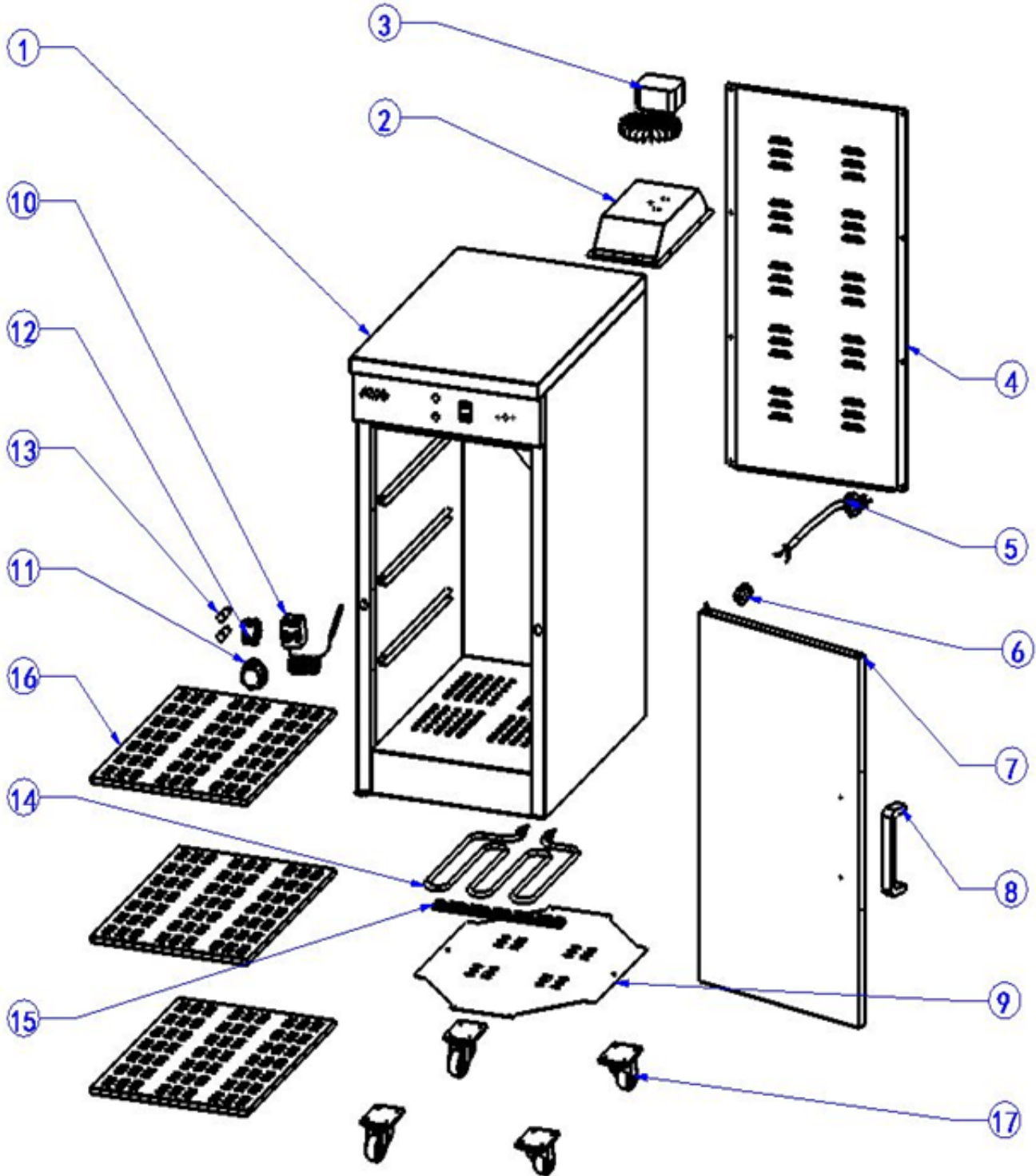
Product	Model	Voltage	Power	Product Size
Dish Warmer	443-1070	230V	800W	530x350x770mm

CLEANING AND MAINTENANCE

1. When cleaning and maintenance, should cut off the power to prevent accidents.
2. After the work is completed every day, the application of wet towel stained with non-corrosive detergent diluent to clean the equipment and power cord surface, is strictly prohibited to wash the surface with water, so as not to damage the performance of the equipment.
3. When not in use for a long period of time, clean the unit and store it in a well-ventilated, non-corrosive atmosphere.

SPARE PARTS LIST AND EXPLODED VIEW

NO.	Item	Specification	QTY
1	Body frame	SUS/T0.8	1
2	Motor cover	SUS/T0.8	1
3	Motor	45W/230V	1
4	Back plate	SUS/T0.6	1
5	Power cable	3X1.5	1
6	Power cord head	PG9	1
7	Door components		1
8	Door Handle	Aluminum alloy	1
9	Bottom plate	SUS/T0.6	1
10	Thermostat	85°C	1
11	Knob	A5	1
12	Switch	16A/250V	1
13	Indicator light	Yellow/green	2
14	Heater	800W/230V	1
15	Heat pipe pressure plate	SUS/T0.8	1
16	Inner plate	SUS/T0.8	3
17	Wheel		4



STANDARDS AND DIRECTIVES

The device complies with current EU standards and directives. If necessary, we will send you the corresponding declaration of conformity.



PACKAGING DISPOSAL

Please separate the packaging materials accordingly and return them to the responsible collection points for recycling and environmental housing.



DEVICE DISPOSAL

Once the appliance has been used up, dispose of it properly at a collection point for electrical appliances. Electrical appliances do not belong in household waste.

Your responsible administration will inform you about the addresses and opening hours of collection points. This is the only way to ensure that old appliances are properly disposed of and recycled. Thank you very much!



CE